

**Part Number: 4383H1**

10mm HOUSING & RED LED LAMP WITH WIRE LEADS

**Features**

- Housing material: Type 66 Nylon
- Black casing provides superior contrast
- Housing UL rating: 94V-0
- Reliable & robust
- 12V internal resistor
- RoHS compliant

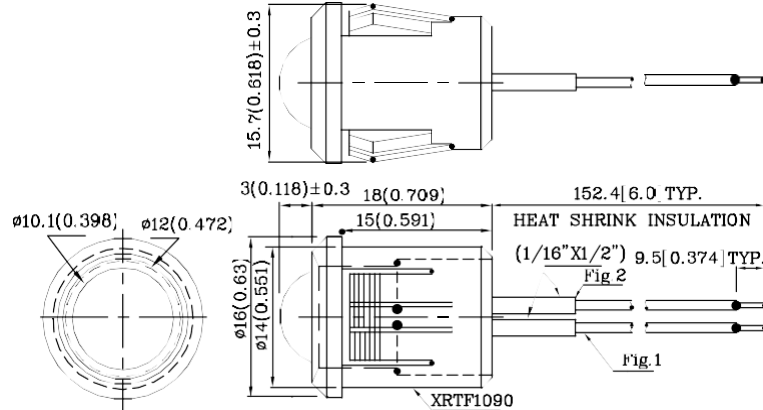


**ATTENTION**  
OBSERVE PRECAUTIONS  
FOR HANDLING  
ELECTROSTATIC  
DISCHARGE  
SENSITIVE  
DEVICES

**Package Schematics**

**Fig.**

1. ANODE LEAD : RED INSULATION , 24 AWG . UL#1007 . CUT 160mm LONG, TINNED OVERCOATED WIRE , STRIP 9.5mm.
2. CATHODE LEAD : BLACK INSULATION , 24 AWG ,UL#1007 , CUT 160mm LONG . TINNED OVERCOATED WIRE , STRIP 9.5mm.
3. 12V INTERNAL RESISTOR



Notes:

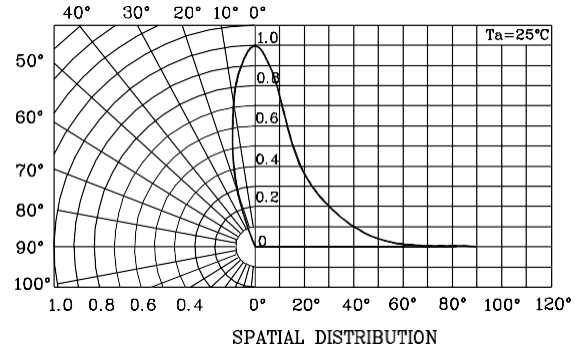
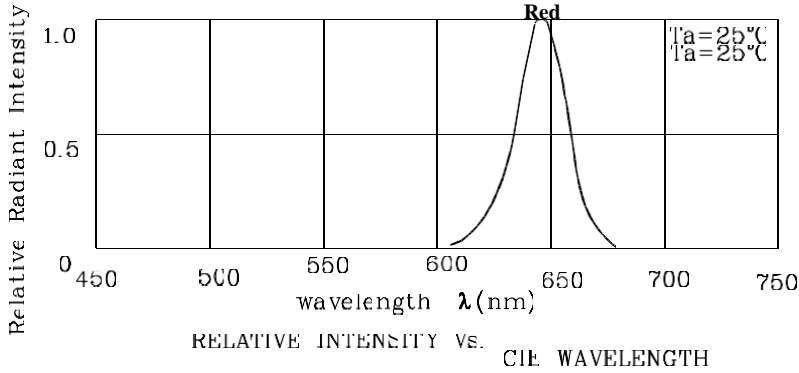
1. All dimensions are in millimeters (inches).
2. Tolerance is ±0.25(0.01") unless otherwise noted.
3. Specifications are subject to change without notice.

Absolute Maximum Ratings (T <sub>A</sub> =25°C)		Red (AlGaInP)	Unit
Reverse Voltage	V <sub>R</sub>	5	V
Forward Voltage	V <sub>F</sub>	14	V
Power Dissipation	P <sub>D</sub>	120	mW
Operating Temperature	T <sub>A</sub>	-40 ~ +70	°C
Storage Temperature	T <sub>stg</sub>	-40 ~ +85	
Lead Solder Temperature [2mm Below Package Base]	260°C For 3 Seconds		
Lead Solder Temperature [5mm Below Package Base]	260°C For 5 Seconds		

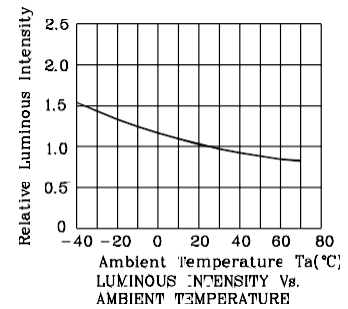
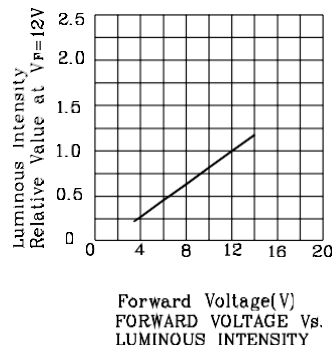
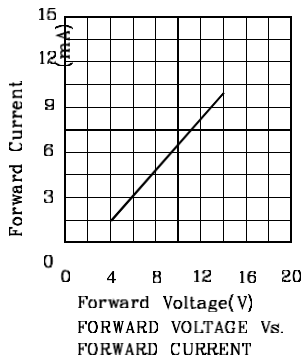
Operating Characteristics (T <sub>A</sub> =25°C)		Red (AlGaInP)	Unit
Forward Current (Typ.) (V <sub>F</sub> =12V)	I <sub>F</sub>	8.5	mA
Forward Current (Max.) (V <sub>F</sub> =12V)	I <sub>F</sub>	11.5	mA
Reverse Current (Max.) (V <sub>R</sub> =5V)	I <sub>R</sub>	10	uA
Wavelength of Peak Emission CIE127-2007(Typ.) (V <sub>F</sub> =12V)	λ <sub>P</sub>	645*	nm
Wavelength of Dominant Emission CIE127-2007(Typ.) (V <sub>F</sub> =12V)	λ <sub>D</sub>	630*	nm
Spectral Line Full Width At Half-Maximum (Typ.) (V <sub>F</sub> =12V)	Δλ	27	nm

Part Number	Emitting Color	Emitting Material	Lens-color	Luminous Intensity CIE127-2007* (V <sub>F</sub> =12V) mcd		Wavelength CIE127-2007* nm λ <sub>P</sub>	Viewing Angle 2θ 1/2
				min.	typ.		
4383H1	Red	AlGaInP	Red Diffused	180 60*	347 118*	645*	30°

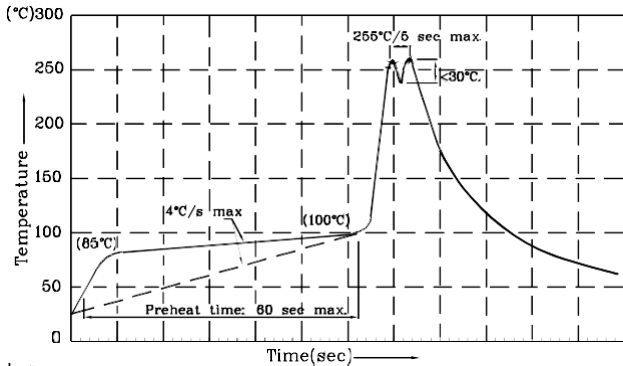
\*Luminous intensity value and wavelength are in accordance with CIE127-2007 standards.



• Red



Wave Soldering Profile For Thru-Hole Products (Pb-Free Components)



- Notes:
- 1.Recommend pre-heat temperature of 105°C or less (as measured with a thermocouple attached to the LED pins) prior to immersion in the solder wave with a maximum solder bath temperature of 260°C
  - 2.Peak wave soldering temperature between 245°C ~ 255°C for 3 sec (5 sec max)
  - 3.Do not apply stress to the epoxy resin while the temperature is above 85°C.
  - 4.Fixtures should not incur stress on the component when mounting and during soldering process.
  - 5.SAC 305 solder alloy is recommended.
  - 6.No more than one wave soldering pass.

Remarks:

If special sorting is required (e.g. binning based on Luminous intensity/ luminous flux, or wavelength),

The typical accuracy of the sorting process is as follows:

1. Wavelength: +/-1nm
2. Luminous intensity/ luminous flux: +/-15%

Note: Accuracy may depend on the sorting parameters.